



G6 DIAPHRAGM GAS METER

WG6MS

Mechanical gas meter

Flow rate from 0,04 m³/h to 10 m³/h

Certified MID T11329

Suitable for various gas media



USE QR CODES TO BE ALWAYS UP-TO-DATE

ZENNER
All that counts.



WG6MS

Mechanical gas meter

The main feature of this membrane meter is to be able to operate in a longer range at the minimum flow rate, its minimum operating flow rate (0.04m³/h) is lower than the standard one (0.06m³/h) in order to obtain a lower error value in low flow rates.

This feature, combined with stable and constant performance over time, has been achieved thanks to the use of first choice materials and innovative solutions covered by patents. The integrated calibration system and the valve movement system, optimized in relation to the gas flow rate, guarantee the excellent linearity of the error curve even at low flow rates.

The meter, particularly resistant to corrosion, is suitable for different types of gas. The meter complies with MID, EN1359 and OIML R137-1&2:2012 regulations.

WG6MS: 0.04 m³/h - 10 m³/h

Gas media:

- Natural gas
- Town gas
- Biogas
- Liquid gas
- Methan gas

Housin material:

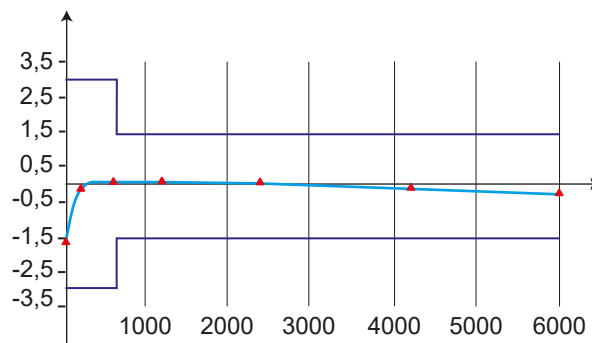
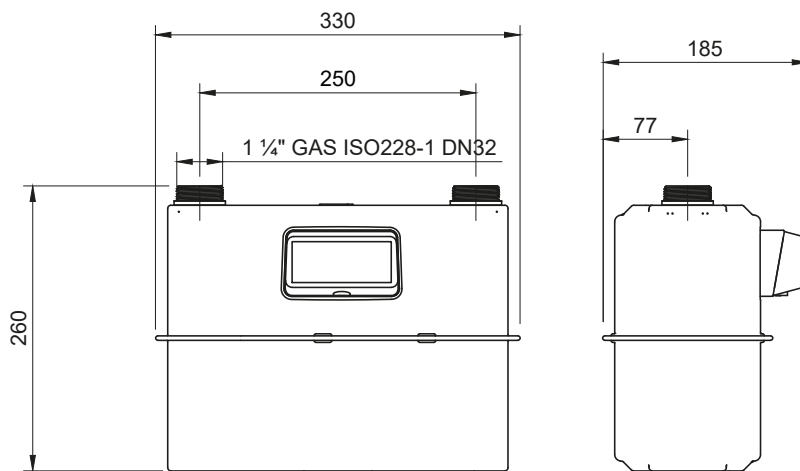
- Galvanized steel

Characteristic

- Measuring range for flows rates from 0.04 fino to 10 m³/h
- Minimum pressure drop <160 Pa Loss with a flow rate of 10 m³/h
- Integrated error curve correction system
- Temperature range: -25°C to +50°C
- Max Pressure rating 0,5 bar
- Stability over time thanks to the use of high quality membranes
- Possibility of retrofitting a pulse-driver (reed contact)
- Cyclic capacity: 2 lt.
- Not-return valve

Technical data

Metrological approval	MID class 1, 5 - certified NMI T11329 Gas meter at basic condition
Type	WG6MS
Transition flow rate	Q_t 1,0 m ³ /h
Maximum flow rate	Q_{max} 10 m ³ /h
Minimum flow rate	Q_{min} 0,04 m ³ /h
Maximum operating pressure	Da 0 a 500 mbar
Accuracy	$\pm 1,5\%$ ($0,1Q_{max} \leq Q \leq Q_{max}$) $\pm 3\%$ ($Q_{min} \leq Q \leq 0,1Q_{max}$)
Max. pressure loss	≤ 200 Pa
Display range max.	99999.9998 m ³ /h
Display range min.	0.0002 m ³ /h
Cyclic volume	2 lt
Weight	3,2 kg





3,200

employees on 4 continents stand for quality, precision and innovation.

Locations in Europe

- Germany: Saarbrücken, Mulda, Mannheim
- Bulgaria: Sofia
- France: Limoges
- Italy: Bologna, Pescara
- Kazakhstan: Aktobe
- Poland: Warsaw
- Romania: Bucharest
- Russia: St. Petersburg, Moscow, Tjumen
- Spain: Madrid
- Hungary: Budapest
- Belarus: Minsk

We export our products in

90

countries.



- Production site
- Subsidiary

20

locations worldwide with four production sites in Europe, Asia and the US.

Locations worldwide

- Brazil: Novo Hamburgo
- Paraguay: Asunzion
- China: Fuzhou, Beijing, Shanghai
- Vietnam: Hanoi
- India: Faridabad
- USA: Banning, CA, Addison, TX

Innovative measuring equipment for global markets for over

110

years. Est. in 1903.

The data shown in the catalogs, illustrations and drawings are indicative and do not bind Zenner Gas S.r.l. It is also reserved the faculty to bring the models those changes that experience and technical advances suggest.

ZENNER Gas S.r.l.
Via Aterno, 122 Z.I. Sambuceto
66020 San Giovanni Teatino (CH) – ITALIA
Telefono +39 085 896731 - Fax +39 085 8967327
E-Mail info@zennergas.it - www.zennergas.it



Download our term and services