



PT Smart

## GSM/GPRS remote control module

Sending data / alarms for industrial and ducted systems

Industrial installations

Channeled Networks



USE QR CODES TO BE ALWAYS UP-TO-DATE

# ZENNER

All that counts.

## PT Smart

### Pressure - temperature industrial plants and channeled



PTSMART is a control unit designed for monitoring the operation of pressure reduction systems in ducted industries and distribution networks.

Activation, parameterization and commissioning activities are simple and do not require the intervention of professional figures with specific technical skills. The great autonomy of operation and the possibility of updating the firmware remotely make it an extremely flexible product and adaptable to multiple remote control needs.

The PTSMART device provides two digital inputs (NC contacts) and two analog inputs.

PTSMART, since it uses GSM / GPRS technologies, can be installed without any problem of distance.

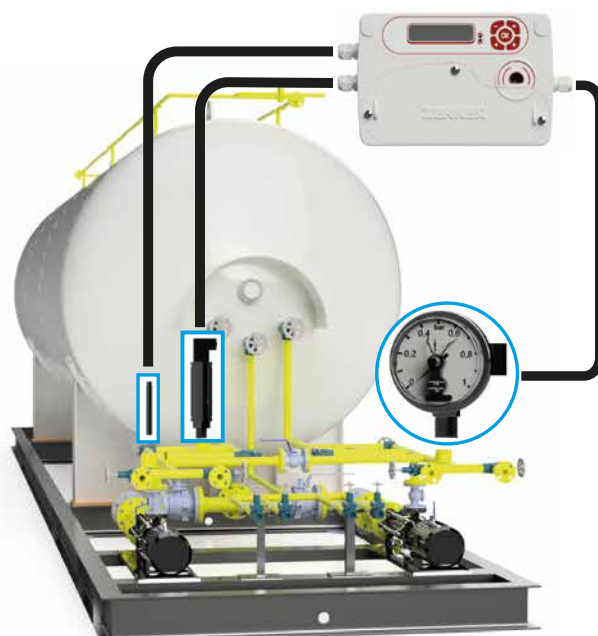
PTSMART is managed by the innovative TekGas service, capable of providing anyone with an advanced remote reading tool, but at the same time simple to use, available everywhere and easily integrated with all management systems: the system is based on the use of WEB technology and guarantees a high level of reliability, availability and confidentiality of information: the management software is accessible.

#### Sending alarms

- Battery download
- Input alarm (2) NC / NO
- Low pressure alarm
- High pressure alarm
- Low temperature alarm
- High temperature alarm

#### N° 2 analog inputs:

- n°1 temperature sensor  
PT1000 (-100 ÷ +100 ° C)
- n°1 pressure sensor  
(configurable: 0 ÷ 100 mB,  
0 ÷ 1B, 0 ÷ 6B, 0 ÷ 25 B)



## Technical Data

N° 2 analog inputs:

n° 1 temperature sensor PT1000 (-100 ÷ +100 ° C)

n° 1 pressure sensor (configurable: 0 ÷ 100 mB, 0 ÷ 1 B, 0 ÷ 6 B, 0 ÷ 25 B)

N° 2 NC/ NO inputs:

For example Min-Max alarms

Pulse generator

Pressure - temperature data transmission in GPRS

Interactive data request via SMS (request reception windows)

Battery life > 2 years (depending on the condition of use)

Sending alarms:

Low battery

Input alarm (2) NC/ NO

Low pressure

High pressure

Low temperature alarm

High temperature alarm

Operating parameters that can be programmed remotely

Fw remotely upgradable (download)

Transmission module GSM QuadBand: GSM 850 / EGSM 900 / DCS 1800/ PCS 1900 Mhz

Transmission protocol: SMS Text Mode/GPRS

Pack of 3.6V lithium batteries of 28mAh, (replaceable also during use) duration: > 2 years (standard operating conditions: query window on demand every 2 hours)

PC enclosure IP65 (for external installation)

Dimensions 215 L x 121 H x 55 P (mm)

Weight 500 gr.

ATEX classification Zona 2

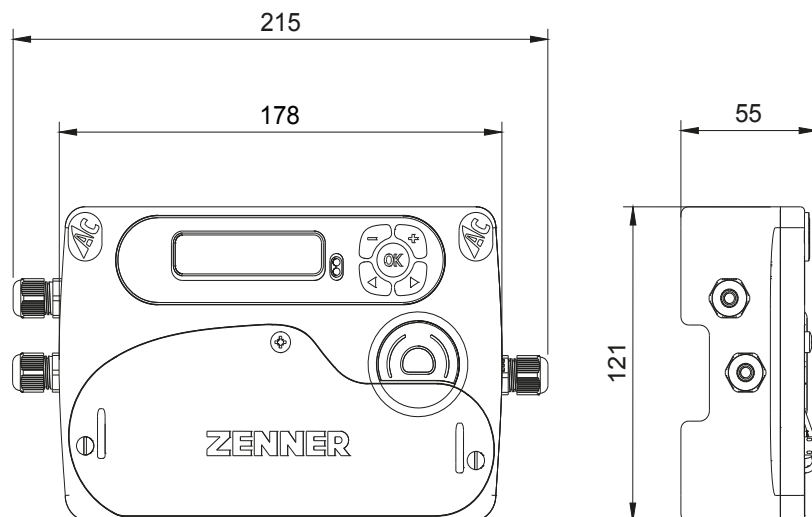
Operating temperature:

Normal -20°C to +55°C

Restricted -30°C to -20°C and +55°C to +80°C

Storage -40°C and +85°C

Fully automated installation (self-installing)



Weight: 0,53 Kg





3,200

employees on 4 continents stand for quality, precision and innovation.

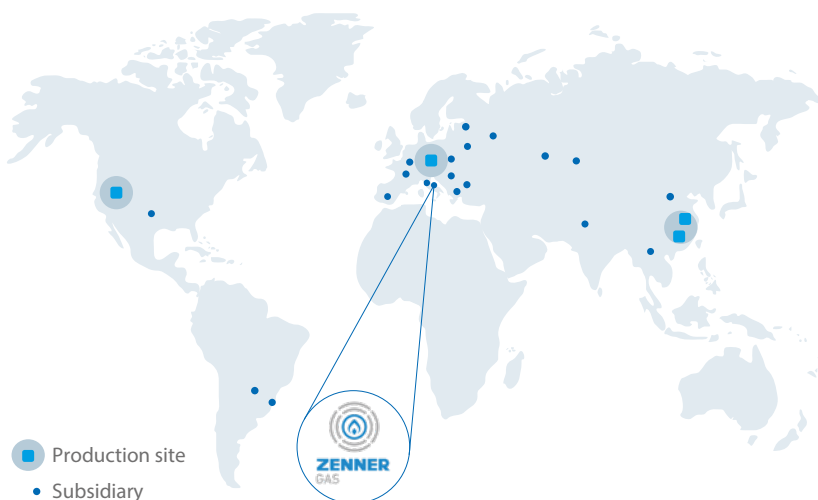
#### Locations in Europe

- Germany: Saarbrücken, Mulda, Mannheim
- Bulgaria: Sofia
- France: Limoges
- Italy: Bologna, Pescara
- Kazakhstan: Aktobe
- Poland: Warsaw
- Romania: Bucharest
- Russia: St. Petersburg, Moscow, Tjumen
- Spain: Madrid
- Hungary: Budapest
- Belarus: Minsk

We export our products in

90

countries.



20

locations worldwide with four production sites in Europe, Asia and the US.

#### Locations worldwide

- Brazil: Novo Hamburgo
- Paraguay: Asunzion
- China: Fuzhou, Beijing, Shanghai
- Vietnam: Hanoi
- India: Faridabad
- USA: Banning, CA, Addison, TX

Innovative measuring equipment for global markets for over

110

years. Est. in 1903.

The data shown in the catalogs, the illustrations and the drawings are indicative and do not commit the ZENNER Gas S.r.l. It is also reserved the faculty to make to the models those changes that experience and technical advances suggest.

ZENNER Gas S.r.l.  
Via Aterno, 122 Z.I. Sambuceto  
66020 San Giovanni Teatino (CH) – ITALIA Phone  
+39 085 896731 - Fax +39 085 8967327 E-Mail  
info@zennergas.it - www.zennergas.eu



Download the General  
Conditions of Sale