



LPG TECHNOLOGY

Mini Level

GSM terminal for remote LPG tanks reading

Installation in Zone 0 ATEX certified

Sending data/alarms in SMS/GPRS mode



ip68
waterproof



USE QR CODES TO BE ALWAYS UP-TO-DATE

ZENNER

All that counts.



Mini Level

Wireless AMR Terminal for remote LPG tanks reader

MINI LEVEL is a revolutionary product that CHANGES the remote reading of LPG tank.

The devices are SELF-INSTALLING, making the activation and commissioning activities simple. The great operating autonomy, the remote setting and the possibility to change the software remotely make it a unique product, extremely flexible and adaptable to all remote reading applications in the LPG storage sector.

The MINI LEVEL device, using just two screws, is applied directly to the mechanical level indicator which equips any buried or above ground tank.

It is certified to be installed in Zone 0 and, therefore, inside the tower of the underground tanks.

MINI LEVEL uses GSM/ SMS/ GPRS technologies and can be installed without any distance problem.

MINI LEVEL integrates, in its interior, the technology of our well-known SPA sensor for measuring the level of a tank.

With the use of NFC technology, the device allows identification of the supplier.

MINI LEVEL is managed by the innovative TekGas service able to provide anyone with an advanced remote reading tool, but at the same time easily integrated with all management systems.

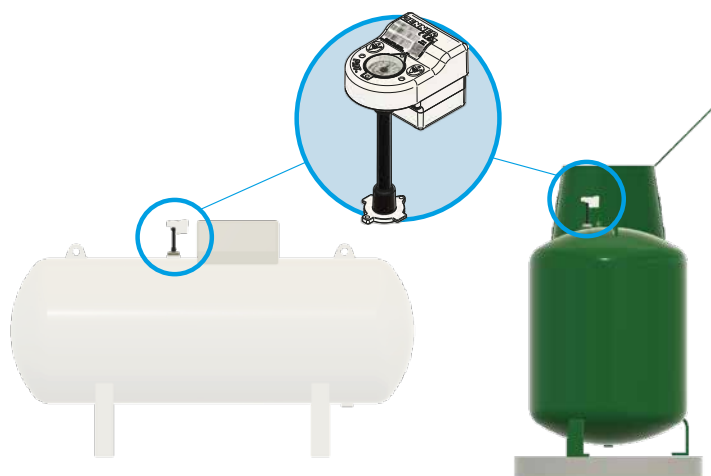
The system is based on the use of WEB technology and guarantees a high level of confidentiality, integrity and availability of information.

The management software is accessible via the INTERNET thanks to the TekGas application.

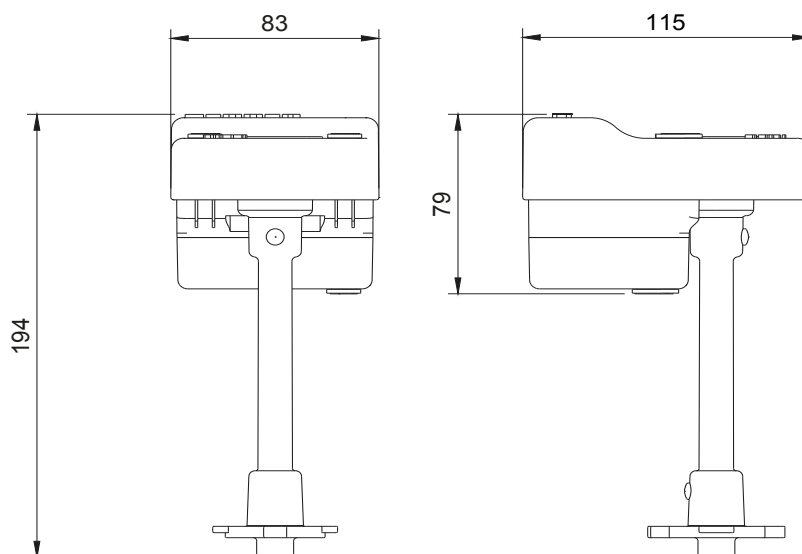
- Programmable remotely (download management Firmware)
- Programmable sending of data readings via SMS/ GPRS
- Interactive data request (reception windows required)
- Battery life from 2 to 5 years (depending on the conditions of use)
- Sending alarms
 - 1 ° level reserve
 - 2 ° level reserve
 - low tank supply
 - low battery
 - tank level sensor malfunction
 - level indicator locked
- Operating parameters that can be programmed remotely (alarm thresholds, alarm sending mode,...)
- Protection against unwanted access via GSM / SMS / GPRS
- Sending information related to the status of the HW

CERTIFICATIONS ATEX

- DIRECTIVE ATEX 1024/34/UE
- Zone 0
- II 1G Ex ma IIB T4
- CEC 12 ATEX 009



Technical data	
Approval ATEX	2014/34/UE (ATEX) Zone 0 II 1G Exma II B T4 (-20<Ta<+55)°C Cert. N° CEC 12 ATEX 009
Protection class	IP 68 container ABS/POLICARBONATE
Operating temperature	Normal: -25°C to +55°C, humidity ≤ 93% without condensation Restricted: -30°C to -25°C and +55°C to +80°C Storage: -40°C to -30°C and +80°C to +85°C
Event log	Historical of the last 33 days
Interfaces	Display for visual inspection of the level with double scale (horizontal and vertical) filled with glycerine and interchangeable in case of breakage without the need to replace the electronic part. Alternatively: quadrant for visual inspection double reading of the level with single scale (horizontal or vertical) dry and interchangeable in case of breakage without the need to replace the electronic part.
Communication module	Modem GSM/GPRS Integrated band pictures powered by batteries with internal antenna SIM - NFC forum Type 4 Tag, ISO/IEC 14443 Type A
Communication protocol	Transfer protocol SMS Text Mode, GPRS (download and data)
Battery (modem)	14.000mAh 3.5V lithium battery pack, replaceable when in use, duration > 4 years in the following reference conditions: activity 2 min/day, communications max 100/year, firmware update update 1 dwl/year
Reading resolution	Mechanical indicator level transmission with max 5% error



Weight: 0,53Kg





3,200

employees on 4 continents stand for quality, precision and innovation.

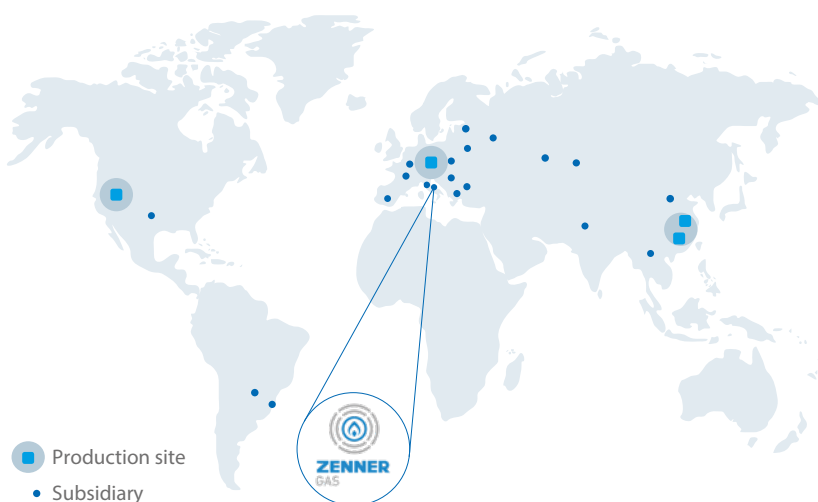
Locations in Europe

- Germany: Saarbrücken, Mulda, Mannheim
- Bulgaria: Sofia
- France: Limoges
- Italy: Bologna, Pescara
- Kazakhstan: Aktobe
- Poland: Warsaw
- Romania: Bucharest
- Russia: St. Petersburg, Moscow, Tjumen
- Spain: Madrid
- Hungary: Budapest
- Belarus: Minsk

We export our products in

90

countries.



- Production site
- Subsidiary

20

locations worldwide with four production sites in Europe, Asia and the US.

Locations worldwide

- Brazil: Novo Hamburgo
- Paraguay: Asunzion
- China: Fuzhou, Beijing, Shanghai
- Vietnam: Hanoi
- India: Faridabad
- USA: Banning, CA, Addison, TX

Innovative measuring equipment for global markets for over

110

years. Est. in 1903.

The data shown in the catalogs, the illustrations and the drawings are indicative and do not commit the ZENNER Gas S.r.l. It is also reserved the faculty to make to the models those changes that experience and technical advances suggest.

ZENNER Gas S.r.l.
Via Aterno, 122 Z.I. Sambuceto
66020 San Giovanni Teatino (CH) – ITALIA
Phone +39 085 896731 - Fax +39 085 8967327 E-
Mail info@zennergas.it - www.zennergas.eu



Download the General
Conditions of Sale