



DOMESTIC SMART METER AMM

## Blocker GPRS / NB-IoT

Smart Meter in accordance with the Resolution Arg/gas 155/08 and subsequent

IP67 Wide Range with flow rate from 0,016 m<sup>3</sup>/h to 6 m<sup>3</sup>/h

Measurement at basic conditions

MID Certificate T11199

For all types of gas

It also works in prepaid mode

Aluminum version with reduced noise



**ip67**  
waterproof

USE QR CODES TO BE ALWAYS UP-TO-DATE

**ZENNER**  
All that counts.



Steel

- Measurement principle based on reliable deformable wall technology
- Indication of the measurement at the basic conditions ( $T_n=288.15K=5^{\circ}C$ )
- MID compliance approved by NMI
- Complies with EN1359 OIML R137 standards
- Complies with ARG 155/08 and UNI-TS 11291
- Automatic identification on the SAC Suitable for installations in area ATEX Zone1
- Electronic totaliser
- LCD display
- Intuitive user interface, two function keys
- Data logging function
- Configuration via optical interface (IEC 62056-21)
- Dual battery power supply: one for the metrology section (15 years of working- life) and a second one for the storage and data transmission section
- GPRS / NB-IoT module for data transmission
- Data logging function
- Built-in solenoid valve for deactivation/activation of GAS supply
- Remote FW update
- Anti-tampering protection

## Blocker GPRS / NB-IoT

### Residential Smart Meter Wide Range



Aluminum

Blocker is a smart meter approved in accordance with the Resolution Arg/gas 155/08 and following, with deformable wall technology (minimum flow rate 0,016 m<sup>3</sup>/h – maximum flow rate 6 m<sup>3</sup>/h), with battery-powered electronic totaliser, equipped with an integrated solenoid valve and temperature sensor for an accurate calculation of the volumes of gas supplied at the basic conditions.

Allows automatic programming of data transfer to the SAC (central data acquisition system).

Blocker transfers the data to the central acquisition system (SAC) in automatic mode. The meter can be configured by the SAC allowing parameter programming. The firmware is updated according to the Welmec 7.2 guides to guarantee new functions during the working-life of the meter.

As an alternative to third-party SAC, Zenner Gas also offers TekGas, an innovative service, able to provide anyone with an advanced remote reading and remote management tool but at the same time simple to use.

Available everywhere and easily integrated with all IT management systems, the service is based on the use of WEB technology and is accessible via INTERNET.

The communication battery can be replaced while the meter is in use.

Blocker BK04ZENNER is the total integration between the most consolidated mechanical tradition and the most advanced electronics and belongs to a new generation of gas meters that guarantees the future of investment and reduces the total cost of investment and management.

The installation and commissioning time is equivalent to a mechanical counter change.

### Approvals

MID class 1.5, certified NMI, OIML R-137-1&2:2012, WELMEC 7.2 2015 Complies with EN 1359:1998 + A1:2006

It complies with the requirements of the ARG155 / 08 regulation of the Italian Authority as well as the requirements of the Italian UNI-TS 11291 standard.

### Applications

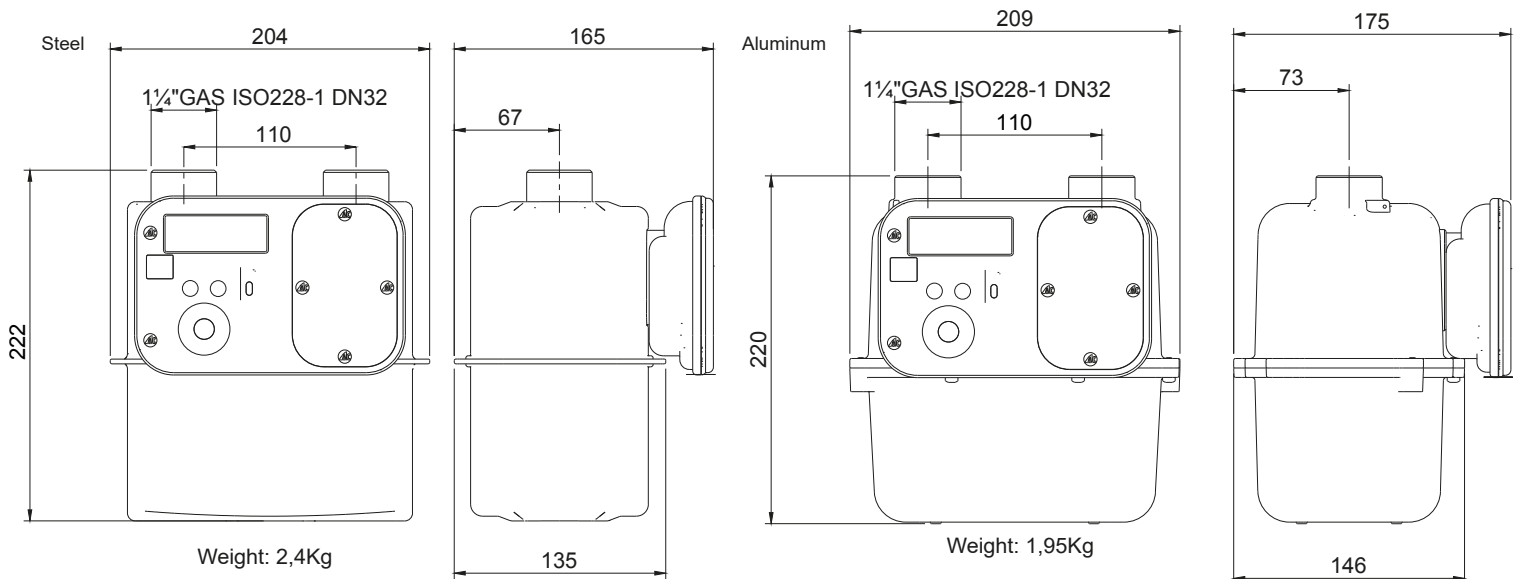
Residential.

Gas measurement at basic condition.

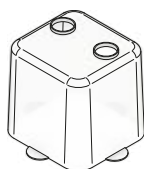
Works in RECHARGEABLE - PREPAID MODE.

WIDE RANGE.

Technical data	
<b>Metrological Approval</b>	MID classe 1.5 - certificato NMi T11199 Contatori per la misura del gas alle condizioni base
<b>Reference condition</b>	T <sub>n</sub> =288,15°K=15°C
<b>ATEX Approval</b>	2014/34/UE (ATEX) II 3 G Exic IIB T4 (-20<Ta<+55)°C Gc - Cert. TUV CY 18 ATEX 0206066
<b>Protection class</b>	IP 67 container ABS/POLICARBONATE (on request additional Ghost transparent protection for outdoor installations without a protective box)
<b>Operating temperature</b>	Normal: -25 °C to +55 °C, relative humidity ≤ 93 % without condensation Restricted: -30 °C to -25 °C and +55° to +80 °C Storage: -40 °C to -30 °C and +80 °C to +85 °C
<b>Control panel</b>	Keyboard with 2 touch buttons
<b>Display</b>	17 digit alpha numeric monochromatic LCD on two lines
<b>Gas temperature</b>	-25°C to +55°C
<b>Pressure rating</b>	0 to 500 mbar (steel version)      0 to 1,5 bar (aluminum version)
<b>Event log</b>	Registration of non-period events. Events capacity of 6.000
<b>Interfaces</b>	Optical interface IEC-61107
<b>Communication module</b>	Module GPRS      Removable SIM Integrated Quad band powered by batteries with internal or external antenna (Optional). Module NB-IoT      Removable SIM Integrated Multi band powered by batteries with internal antenna.
<b>Communication protocol</b>	CTR R131 PP4 norm UNI TS11291-3 AES-128 GCM DLMS PP4 norm UNI TS11291-12 AES-128 GCM AES-128 GMAC
<b>Battery (measuring)</b>	1 Lithium battery module 3,6 V Li-SoCl <sub>2</sub> 9Ah (Battery life of >15 years in standard operating condition)
<b>Battery (modem)</b>	1 lithium battery module 3.6 V Li-SoCl <sub>2</sub> 14 Ah (or 6Ah optional for NB-IoT), field replaceable (Battery life depending on the level of the signal being received and frequency of communication)
<b>Metrological requirements</b>	EN1359:1998/A1:2006 - EN12405-1:2005+A2:2010 - OIML R137-1&2 (2012)
<b>Flow rate</b>	Q <sub>min</sub> 0,016m <sup>3</sup> /h - Q <sub>t</sub> 0,6m <sup>3</sup> /h - Q <sub>max</sub> 6 m <sup>3</sup> /h
<b>High temperature resistance</b>	"T" marking
<b>ΔP a Q<sub>max</sub></b>	2 < ΔP ≤ 1,5 (mbar)



Optional protection for outdoor installations without a protection box





3,200

employees on 4 continents stand for quality, precision and innovation.

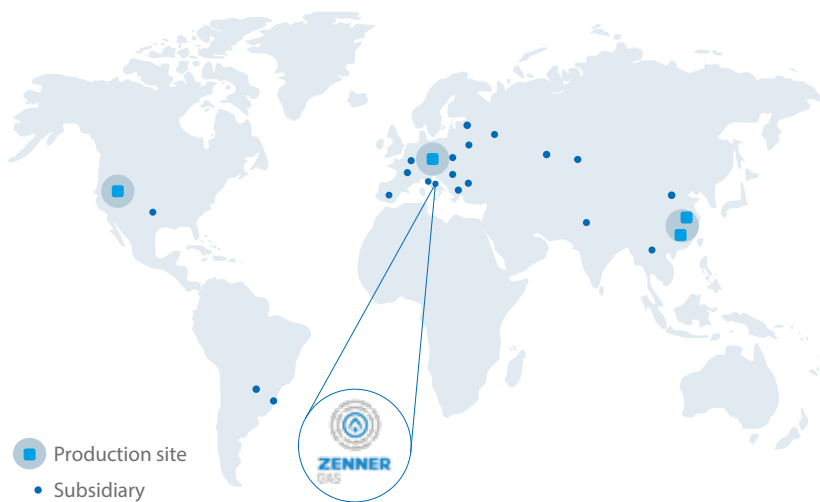
Locations in Europe

- Germany: Saarbrücken, Mulda, Mannheim
- Bulgaria: Sofia
- France: Limoges
- Italy: Bologna, Pescara
- Kazakhstan: Aktobe
- Poland: Warsaw
- Romania: Bucharest
- Russia: St. Petersburg, Moscow, Tjumen
- Spain: Madrid
- Hungary: Budapest
- Belarus: Minsk

We export our products in

90

countries.



- Production site
- Subsidiary

20

locations worldwide with four production sites in Europe, Asia and the US.

Locations worldwide

- Brazil: Novo Hamburgo
- Paraguay: Asunzion
- China: Fuzhou, Beijing, Shanghai
- Vietnam: Hanoi
- India: Faridabad
- USA: Banning, CA, Addison, TX

Innovative measuring equipment for global markets for over

110

years. Est. in 1903.

The data shown in the catalogs, illustrations and drawings are indicative and do not bind Zenner Gas S.r.l. It is also reserved the faculty to bring the models those changes that experience and technical advances suggest.

**ZENNER Gas S.r.l.**  
**Via Aterno, 122 Z.I. Sambuceto**  
**66020 San Giovanni Teatino (CH) – ITALIA**  
**Telefono +39 085 896731 - Fax +39 085 8967327**  
**E-Mail info@zennergas.it - www.zennergas.it**



Download our term and services