



DOMESTIC DIAPHRAGM GAS METER

Atmos®

Mechanical Wide Range gas meter

Flow rate from 0,016 m³/h to 6 m³/h

Certified MID T11329

Suitable for various gas media

Aluminum version with reduced noise



USE QR CODES TO BE ALWAYS UP-TO-DATE

ZENNER

All that counts.



Steel

Atmos[®]

Wide range gas meters



Aluminum

WG2.5S/A: 0.016 m³/h - 6m³/h

Gas media:

- Natural gas
- Town gas
- Biogas
- Liquid gas
- Methane gas

Housin Material:

- Galvanized steel
- Aluminum

The feature that makes this meter unique is its ability to operate correctly in a wide range of flow rates and enables precise measurement from Q_{min} 0,016m³/h to Q_{max} 6 m³/h. This allows to replace the conventional G1,6 – G2,5 – G4 using only one meter: WG2,5S. The advantage is to measure the gas even at the flow rates where the other domestic meters can not do it.

These characteristics, combined with stable and constant performance over time, have been achieved thanks to the use of first choice materials and innovative patented solutions. The integrated calibration system coordinates the movement of the valves in relation to the optimum gas flow. The excellent linearity of the error curve is guaranteed even at low flow rates.

Thanks to the use of high-grade materials the diaphragm gas meter is particularly resistant to corrosion therefore suitable for various gas media.

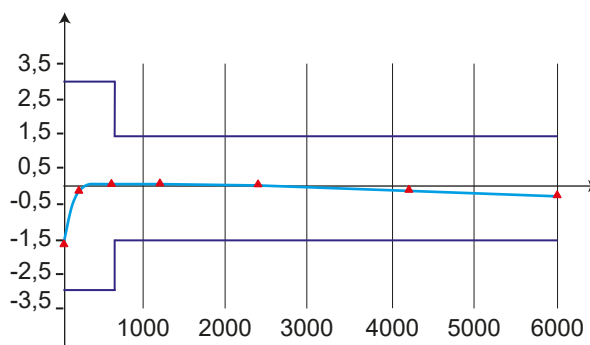
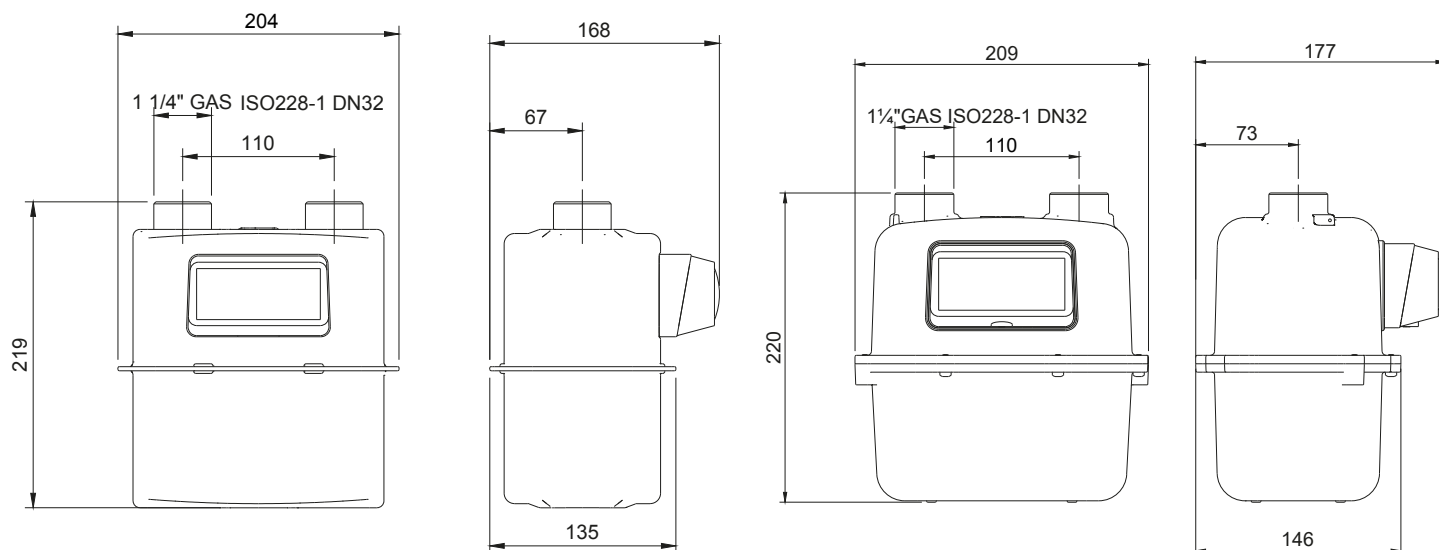
The Atmos[®] diaphragm gas meter meets the requirements of the MID, EN1359 and OIML R137-1&2 :2012.

Characteristic

- Wide measuring range for flows rates from 0.016 to 6 m³/h
- Minimum pressure drop <160 Pa Loss with a flow rate of 6 m³/h
- Integrated error curve correction system
- Measurement even at very low rates lower than 3 l/h
- Temperature range: -25°C to +50°C
- Max Pressure rating:
 - steel version 0,5 bar
 - aluminum version 1,5 bar
- Stability over time thanks to the use of high quality membranes
- Possibility of retrofitting a pulse-driver (reed contact)
- Cyclic capacity: 1,2 lt.
- Not-return valve

Technical data Atmos® WG2.5S

Metrological approval	MID class 1, 5 - certified NMI T11329 Gas meter at basic condition	
Type	WG2,5S	WG2,5A
Transition flow rate	Q_t 0,25 m ³ /h	
Maximum flow rate	Q_{max} 6 m ³ /h	
Minimum flow rate	Q_{min} 0,016 m ³ /h	
Maximum operating pressure	From 0 to 500 mbar (steel version)	From 0 to 1,5 bar (aluminum version)
Accuracy	$\pm 1,5\%$ ($0,1Q_{max} \leq Q \leq Q_{max}$) $\pm 3\%$ ($Q_{min} \leq Q \leq 0,1Q_{max}$)	
Max. pressure loss	≤ 200 Pa	
Display range max.	99999.9998 m ³ /h	
Display range min.	0.0002 m ³ /h	
Cyclic volume	1,2 L	
Weight	1,9 Kg (steel version)	1,7 Kg (aluminum version)





3,200

employees on 4 continents stand for quality, precision and innovation.

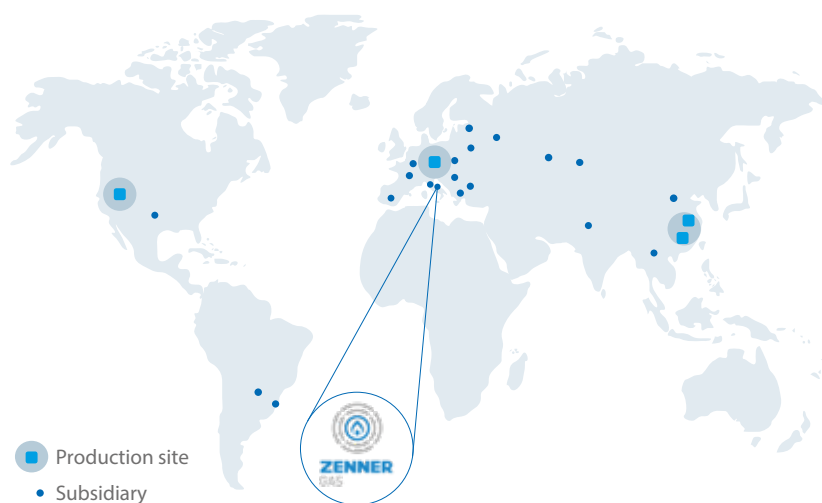
Locations in Europe

- Germany: Saarbrücken, Mulda, Mannheim
- Bulgaria: Sofia
- France: Limoges
- Italy: Bologna, Pescara
- Kazakhstan: Aktobe
- Poland: Warsaw
- Romania: Bucharest
- Russia: St. Petersburg, Moscow, Tjumen
- Spain: Madrid
- Hungary: Budapest
- Belarus: Minsk

We export our products in

90

countries.



- Production site
- Subsidiary

20

locations worldwide with four production sites in Europe, Asia and the US.

Locations worldwide

- Brazil: Novo Hamburgo
- Paraguay: Asunción
- China: Fuzhou, Beijing, Shanghai
- Vietnam: Hanoi
- India: Faridabad
- USA: Banning, CA, Addison, TX

Innovative measuring equipment for global markets for over

110

years. Est. in 1903.

The data shown in the catalogs, illustrations and drawings are indicative and do not bind Zenner Gas S.r.l. It is also reserved the faculty to bring the models those changes that experience and technical advances suggest.

ZENNER Gas S.r.l.
Via Aterno, 122 Z.I. Sambuceto
66020 San Giovanni Teatino (CH) – ITALIA
Telefono +39 085 896731 - Fax +39 085 8967327
E-Mail info@zennergas.it - www.zennergas.it



Download our terms and services